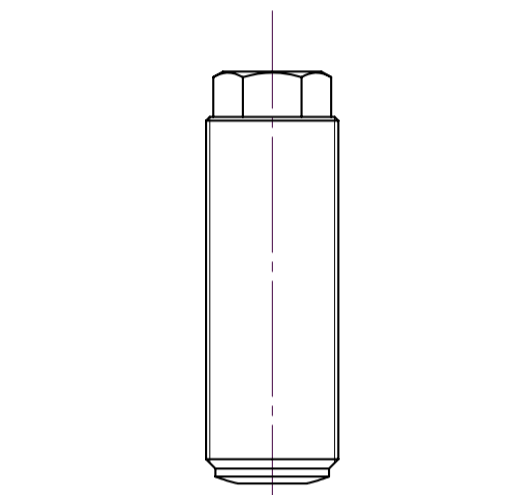
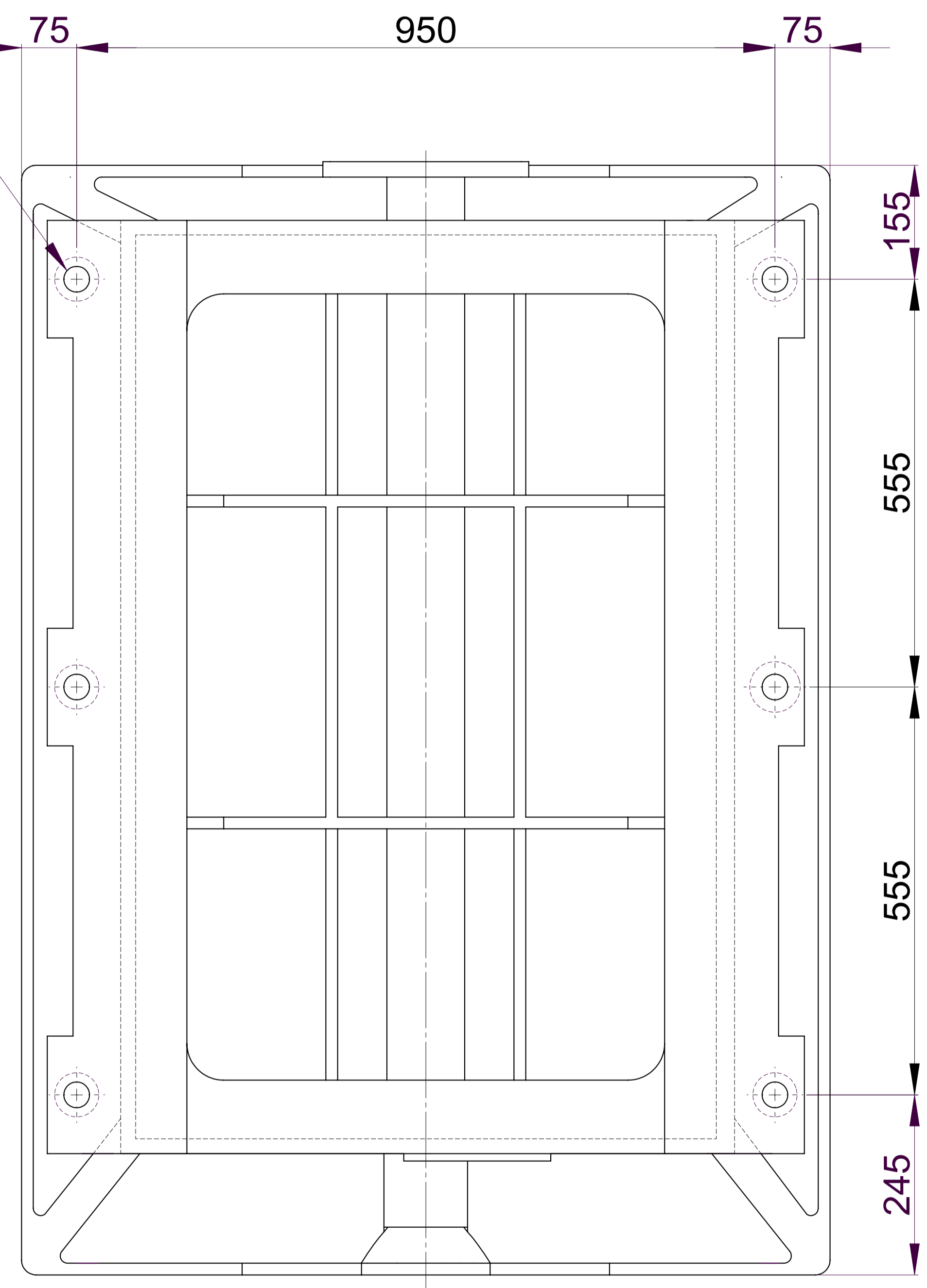
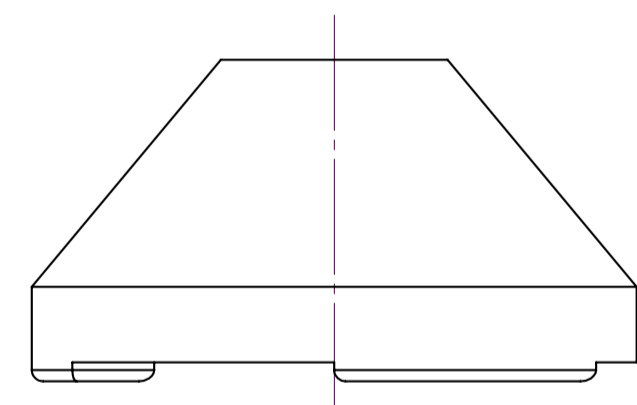


6 - M35 x 1.5 Bolt



Leveling Bolt



Leveling Pad

SUFFIX	MARK	SUBJECT	EDN. NO.	DATE	NAME	CHECKED
	X					
	X					
	X					

SURFACE FINISH		APPROVED		TITLE		QTY	
GENERAL TOLERANCE (MACHINING)		CHECKED		Foundation drawing		1	
OVER 10	±0.1	HEAT TREATMENT	-	ASSY	W.T.		
6 - 35	±0.2	HARDNESS	-	MODEL	SCALE		
38 - 125	±0.3	HEAT TREATMENT	-	REF. DES. NO.	1:6		
125 - 200	±0.5	HE TREATMENT	-	B.S.BAN	DMT 40E		
200 - 3000	±0.8	HE TREATMENT	-	ORG. NO.	AI		
3000 - 20000	±1.2	SURFACE TREATMENT	-	11.10.18	DRAWN		
20000 - 40000	±2.0				DMC		